

Data Sheet

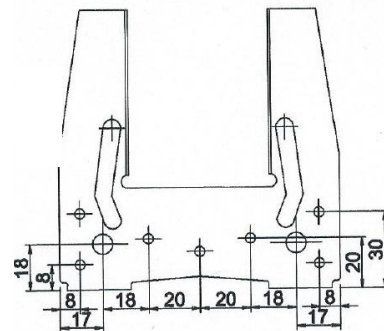
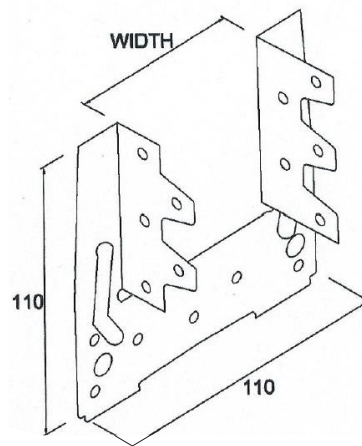
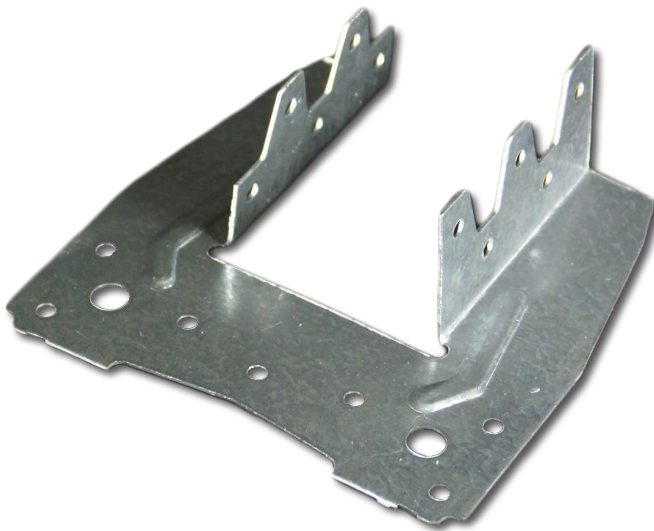
Truss Clips

Description

Manufactured from 1mm thick hot dipped galvanised mild steel to BS2989 grade G275 (z20 coating for timber to timber applications). Avoids the damage caused by skew nailing to nail plates and timber trusses, and also provides positive resistance to wind forces acting on the roof.

It is recommended that 30 x 3.75mm square twisted galvanised nails to be used in all holes provided. (See nail section for details) .

Size	Unit
38mm	each
50mm	each



Fixing Details

17x4mm Nail Holes
 Supported Truss 10x4mm DIA
 Supporting Wallplate 7x4mm DIA
 Use Sheradised square twist
 32x3.75mm DIA Nails in all pre
 Punched Holes to achieve the recommended SWL